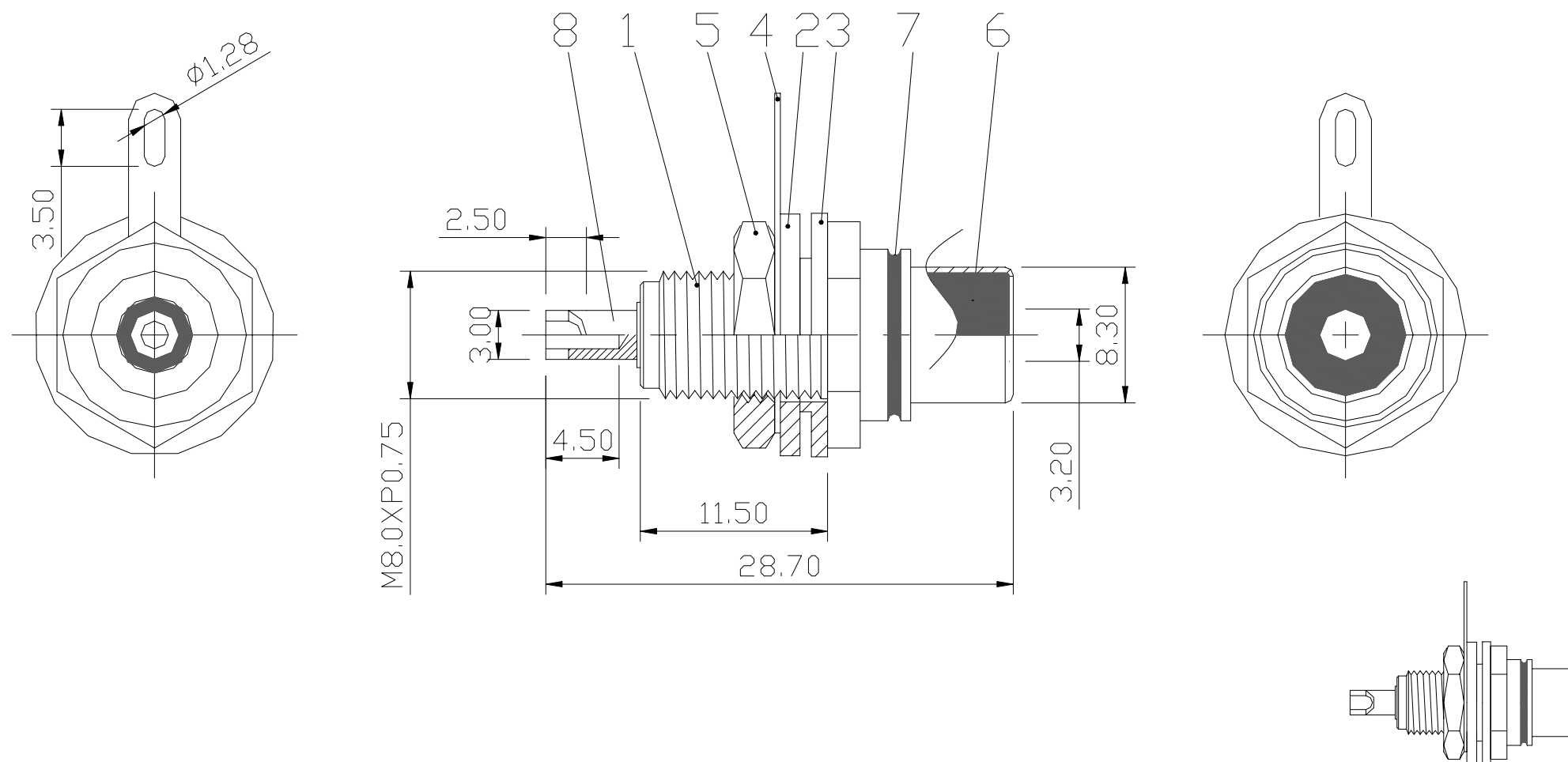


The tolerance without marking are all $\pm 0.25\text{mm}$



S 1 : 1

COMPONENTS LIST

No.	Description	Unit	Materials	Finish	Drawing No.
1	body	1	brass	gold	
2	washer	1	plastic	white(nature)	
3	washer	1	plastic	white(nature)	
4	solder tab	1	brass	gold	
5	hexangular nut	1	brass	gold	
6	insulator	1	teflon	white(nature)	
7	color ring	1	painting	red/blcak(nature)	
8	contact pin	1	brass	gold	

校對 Check		核准 Approved			
繪圖 Drawing By	Salvia	2005.04.08	圖名 TITLE	RCA JACK	
SCALE	2:1	UNIT	MM	型號 PART NO.	P039-RJ-126HG-TEF-RD/BK
				圖號 DRAWING NO.	05040801-3